



## PORTABLE COOLING FANS

# COMPACT PBB / PBT Series



**IP65**

Range of industrial cooling fans designed to provide high volumes of air.

The fan casing is formed from heavy gauge rolled sheet steel with the motor support manufactured from steel rod and electro-welded for increased strength. The fan assembly is supported by a robust cold formed tubular steel stand. The whole assembly is **protected by cataforesis primer and black polyester paint finish.**

**Plastic impellers** dynamically balanced manufactured in a UV stabilised injection moulded plastic with reinforced fibreglass resistant to many chemical and abrasive airstreams.

All models are fitted with robust steel wire finger guards on both the inlet and outlet sides of the fan.

All wiring connections are made via an IP65 rated terminal box fixed to the exterior of the casing and provided with 2 poles On/Off switch.

### Motors

All the motors are IP65, Class F insulation (1), equipped with thermal protection.

Three phase motors are speed controllable by inverter.

All motors are speed controllable except /4-630 model.

Electrical supplies:

Single phase 230V-50Hz. (Capacitor located inside the wiring terminal box).

Three phase 230/400V-50Hz.

(1) Class F insulation: working temperatures from -40°C up to 70°C.

### Additional Information

Standard air direction: form (B) configuration (Impeller over Motor).

## APPLICATIONS



Commercial or industrial drying installations



Cooling of motors, compressors or other electrical machines



Ventilation and cooling of working places

### Inlet bellmouth



Aerodynamic design of the inlet bellmouth to optimise airflow performance and minimise noise level

### Flame retardant terminal box



Wiring terminal box in **flame retardant plastic V0** fixed to the exterior of the casing and provided with a two-pole **On/Off switch**. Cable gland PG-11

### Impeller dynamically balanced



**Impellers are dynamically balanced**, according to ISO 1940 standard, giving vibration free operation

COMPACT PBB / PBT

Cylindrical cased axial flow fans



### ■ Technical characteristics

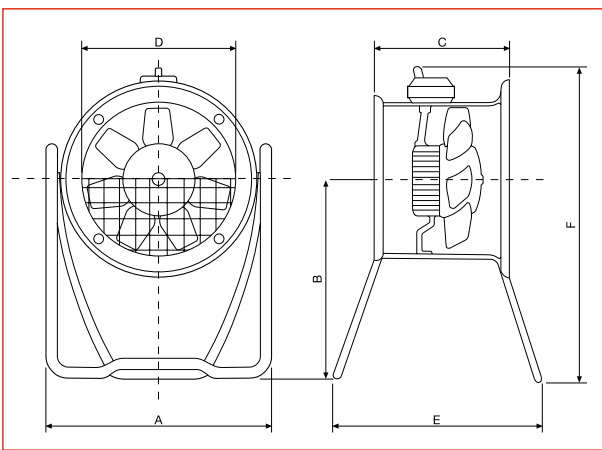
Before installation check that the product electrical characteristics listed on the data plate label (Voltage, power, frequency etc) match those of the intended electrical supply.

SINGLE PHASE	Speed (r.p.m.)	Max. absorbed power (W)	Max. current (A)	Maximum air volume (m <sup>3</sup> /h)	Sound pressure level at 1,5 m (dB(A))	Weight (kg)	Speed controller
PBB/4-315	1300	100	0,6	2250	54	13,5	REB-1
PBB/4-400	1200	340	1,6	5200	60	20	REB-2,5
PBB/4-450	1290	480	2,3	6700	65	26	REB-2,5
PBB/4-560	1250	980	4,9	12300	71	39	REB-5
PBB/4-630	1200	1700	7,60	16450	74	40	-

THREE PHASE	Speed (r.p.m.)	Max. absorbed power (W)	Max. current (A)		Maximum air volume (m <sup>3</sup> /h)	Sound pressure level at 1,5 m (dB(A))	Weight (kg)	Speed controller *
			230V	400V				
PBT/4-315	1300	150	0,59	0,34	2250	54	13,5	RMT-1,5
PBT/4-400	1200	300	1,40	0,80	5200	60	20	RMT-1,5
PBT/4-450	1290	500	1,70	1	6700	65	26	RMT-1,5
PBT/4-560	1250	1210	3,90	2,30	12300	71	39	RMT-2,5
PBT/4-630	1200	1600	4,84	2,80	16450	74	40	-

\* Three phase speed controllers (RMT) are suitable for 400V.

### ■ Dimensions (mm)



Model	A	B	C	ø D	E	F
315	439	400	211	315	470	642
400	600	557	227	400	560	841
450	650	616	237	450	560	925
560	780	473	307	560	500	837
630	890	750	307	630	840	1149

### ■ Electrical accessories



**REB**  
Single phase electronic speed controllers

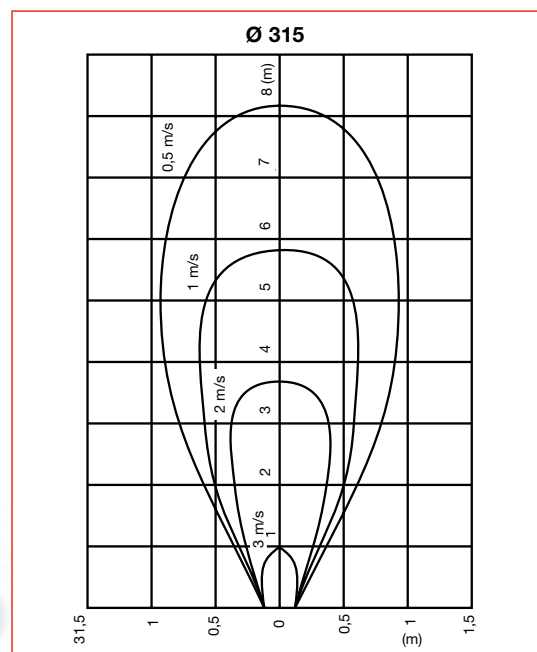


**RMB**  
Single phase auto transformer speed controllers



**RMT**  
Three phase auto transformer speed controllers

### ■ Air throw curves



**Air throw curves**

